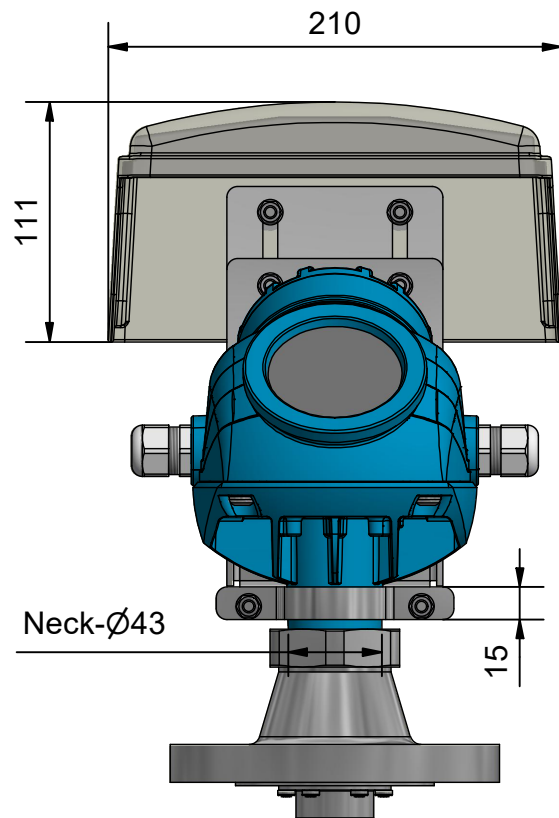
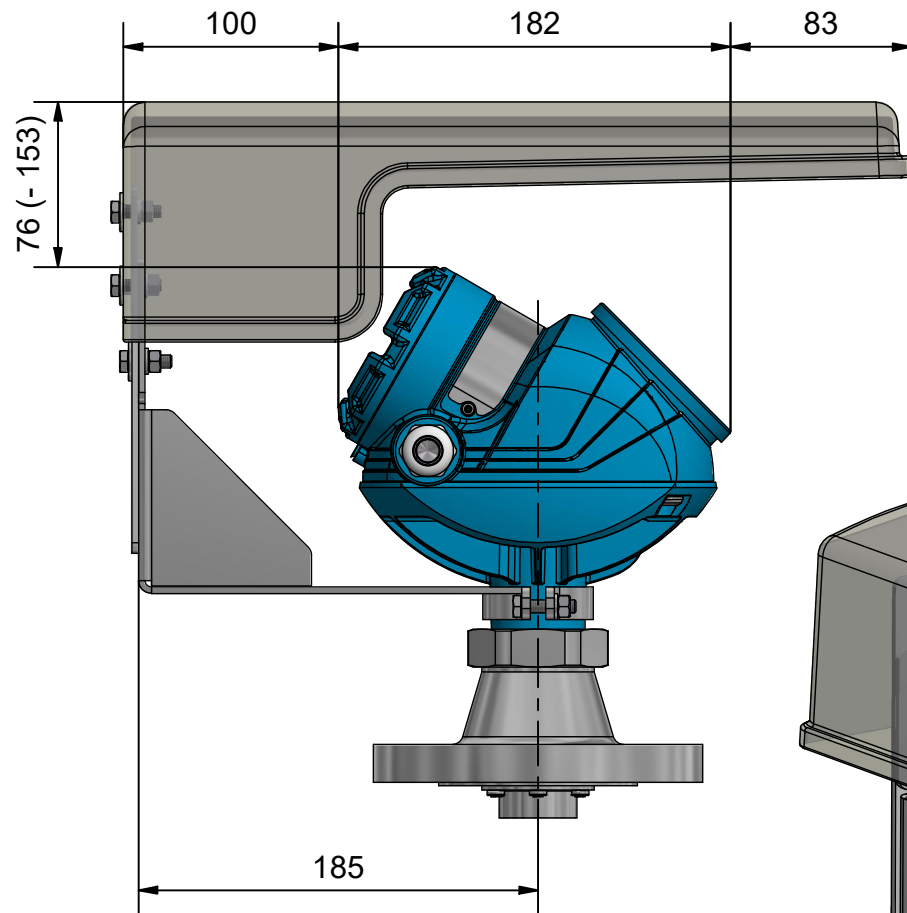


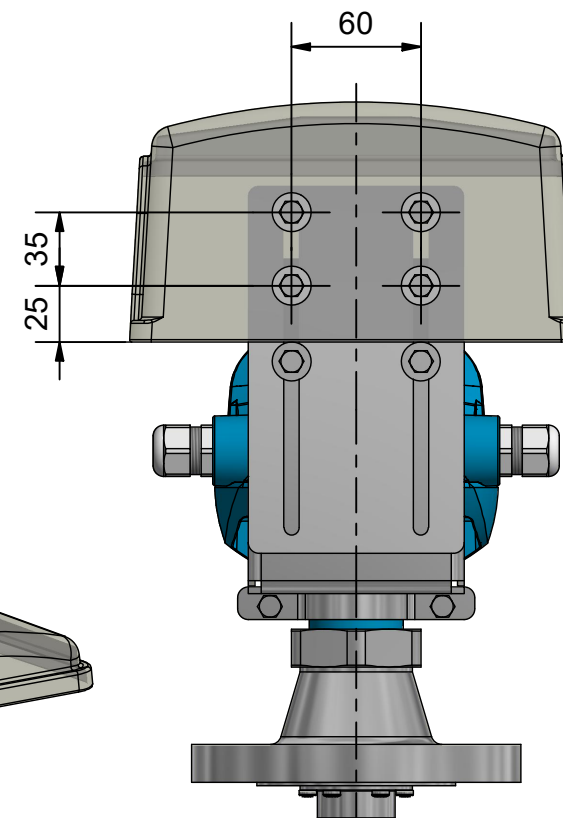
**Front view**



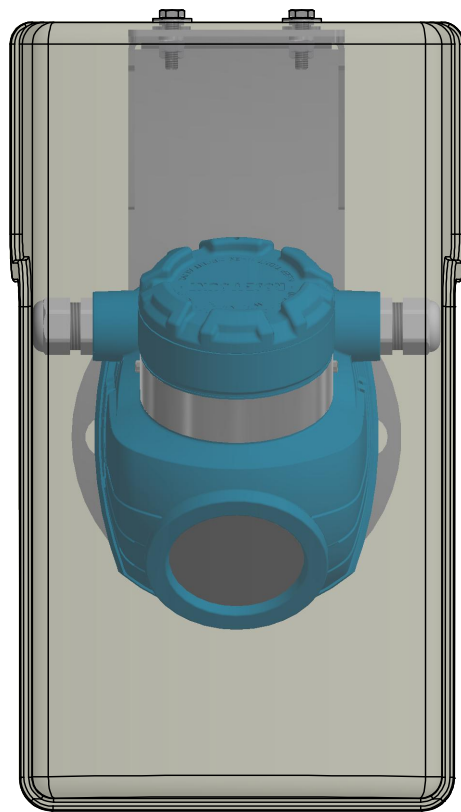
**Side view**



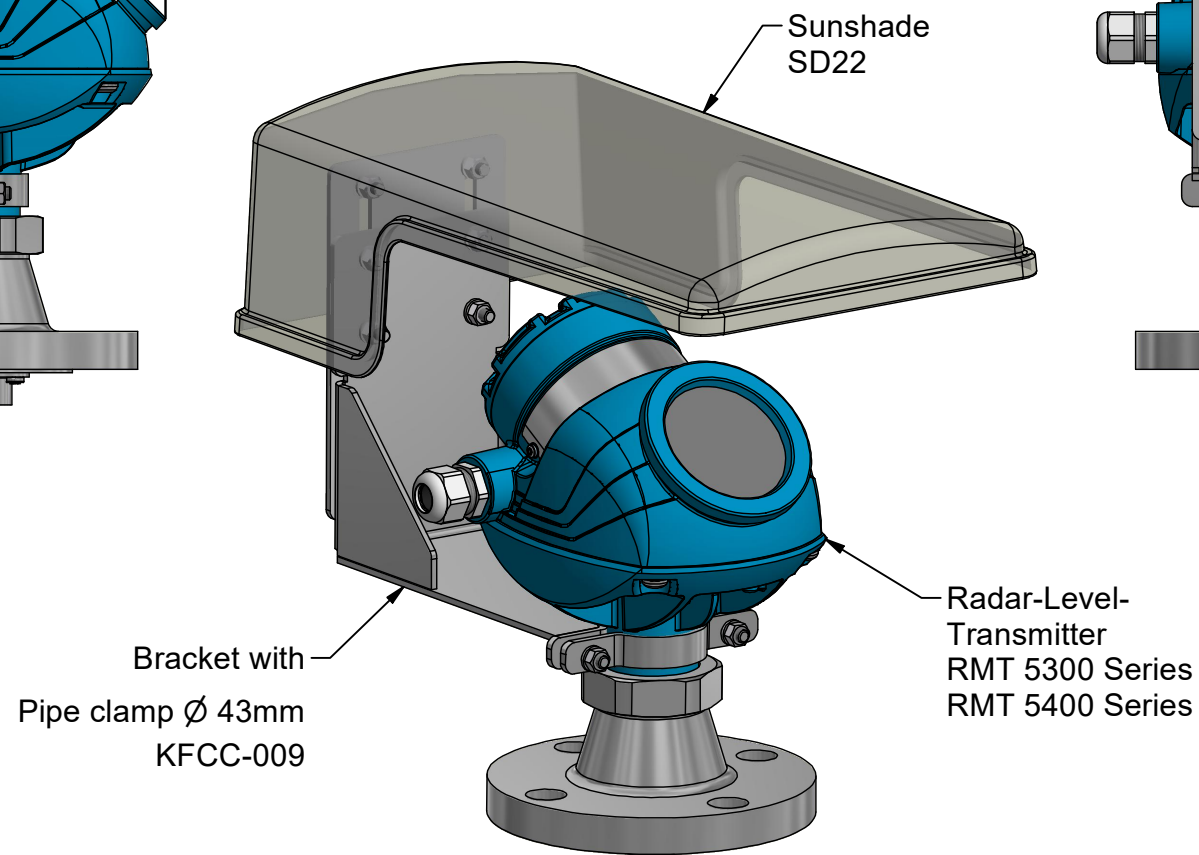
**Rear view**



**Top view**




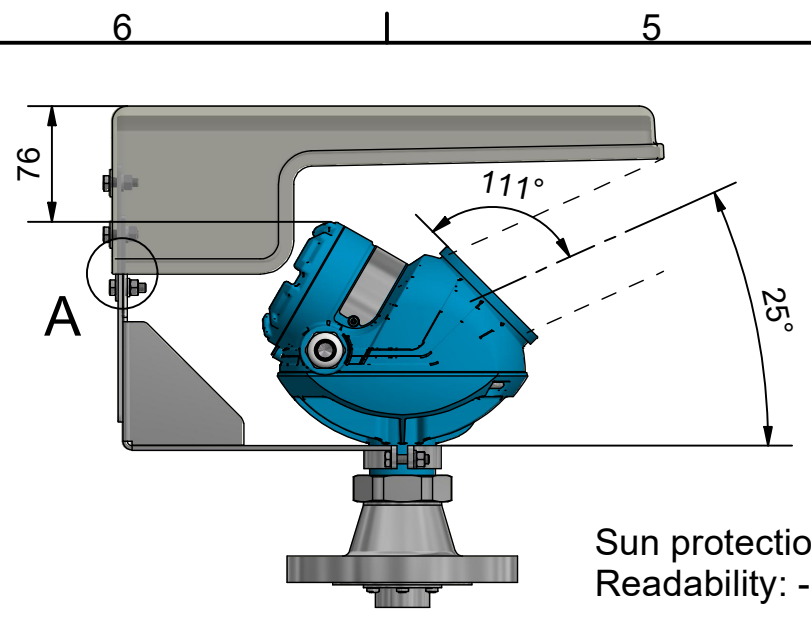
**General view**



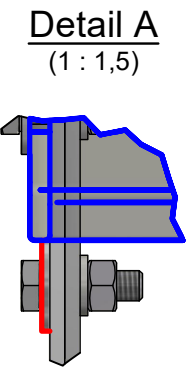
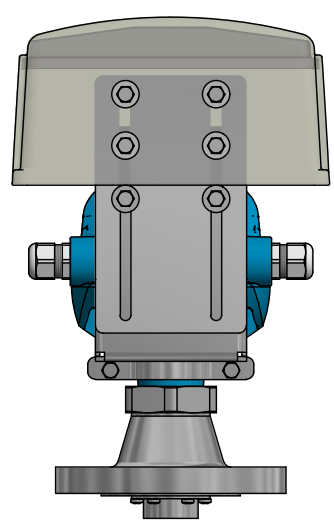
**Mounting position 1 (of 3)**

These and in addition mounting positions: see next page. /  
Diese und weitere Montagepositionen: siehe nächste Seite.

		Status: <b>Standard</b> Date: 20.09.2022 checked by: Hahnkemeyer	Scale: <b>1:3,5</b> Name: Siebenhaar	Customer:
designed by: Siebenhaar checked by: Hahnkemeyer		Description: <b>Sunshade-SD22-Installation</b> Type: <b>for Rosemount 5300 and 5400 Series</b>		Drawing-No.: <b>R11652-0</b> Sheet: of 2, Size: A3
Article-No.: <b>KFCC-009</b>		This drawing is the property of INTERTEC-Hess GmbH. It shall not be copied or submitted to outside parties without our written consent. All dimension tolerances are according to ISO 2768-medium unless otherwise specified. Test dimensions for internal use only.		
Edition	Modifikation	Date	Name	



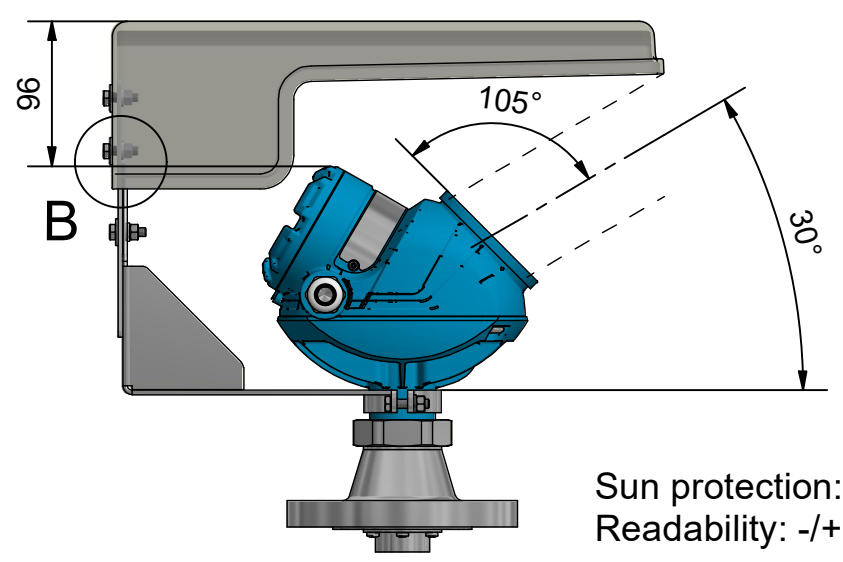
Sun protection: +  
Readability: -



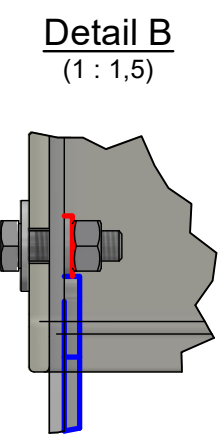
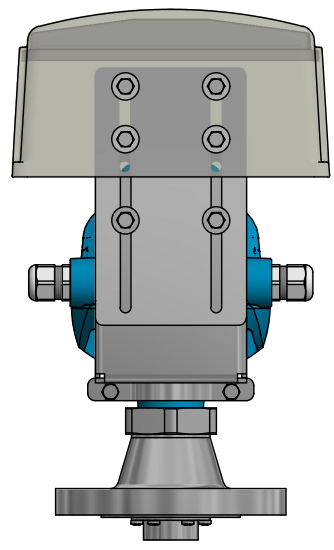
### Mounting position 1

with 6x Bolting M6

Minimum distance SD22 to transmitter: 72mm  
Viewing angle for display: 25°



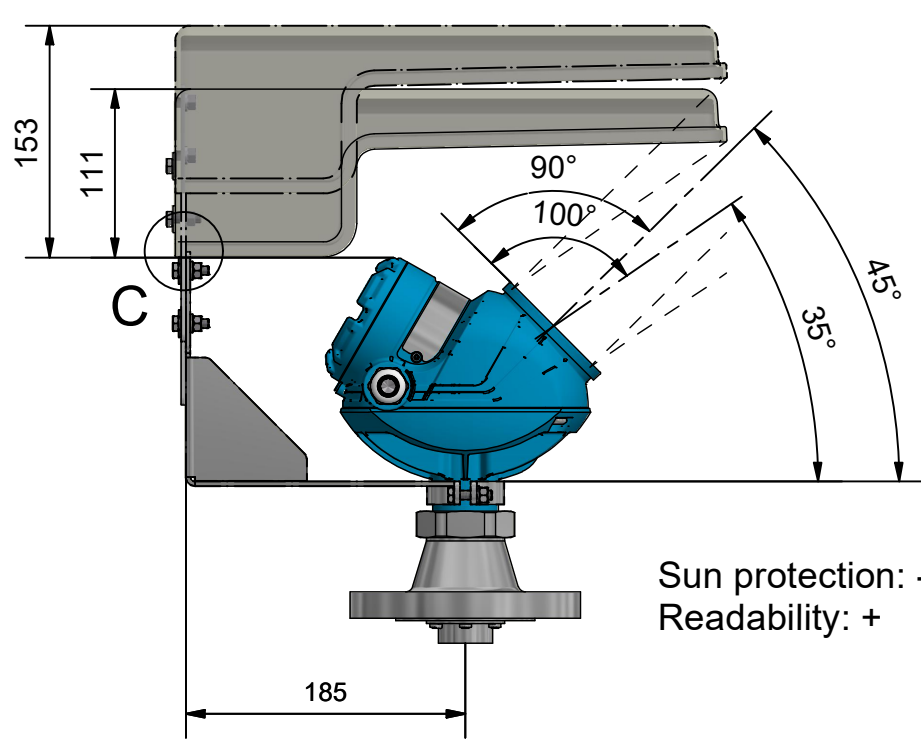
Sun protection: +/-  
Readability: +/-



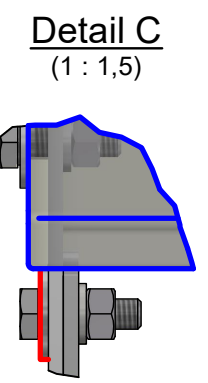
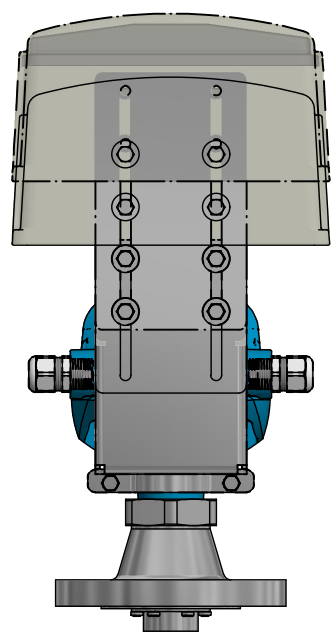
### Mounting position 2

with 6x Bolting M6

Minimum distance SD22 to transmitter: 92mm  
Viewing angle for display: 30°



Sun protection: -  
Readability: +



### Mounting position 3

with 8x Bolting M6

Minimum distance SD22 to transmitter: 107-149mm  
Viewing angle for display: 35°-45°

Freely adjustable in the indicated range.

		INTERTEC-Hess GmbH Raffineriestraße 8 D-93333 Neustadt / Donau Phn.: +49(0)9445/9532-0 www.intertec.info		Status:	Scale:	Customer:
		Standard	1:5			
		designed by	20.09.2022	Siebenhaar	Description: <b>Sunshade-SD22-Installation</b>  Type: <b>for Rosemount 5300 and 5400 Series</b>	
		checked by	20.09.2022	Hahnkemeyer		
		Article-No.:		Drawing-No.:		Sheet: 2
		<b>KFCC-009</b>		<b>R11652-0</b>		of: 2
						Size: A3
This drawing is the property of INTERTEC-Hess GmbH. It shall not be copied or submitted to outside parties without our written consent. All dimension tolerances are according to ISO 2768-medium unless otherwise specified. Test dimensions for internal use only.						