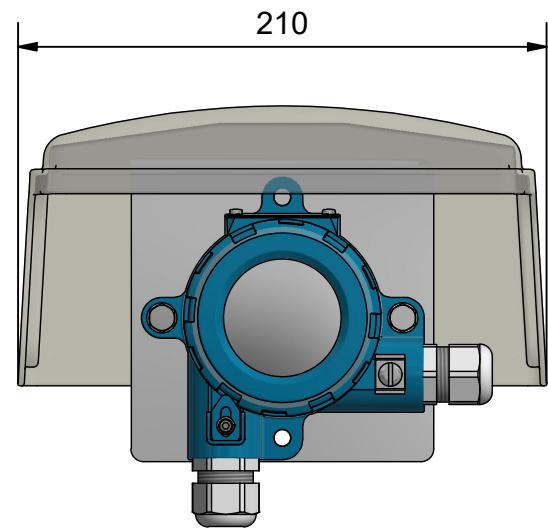
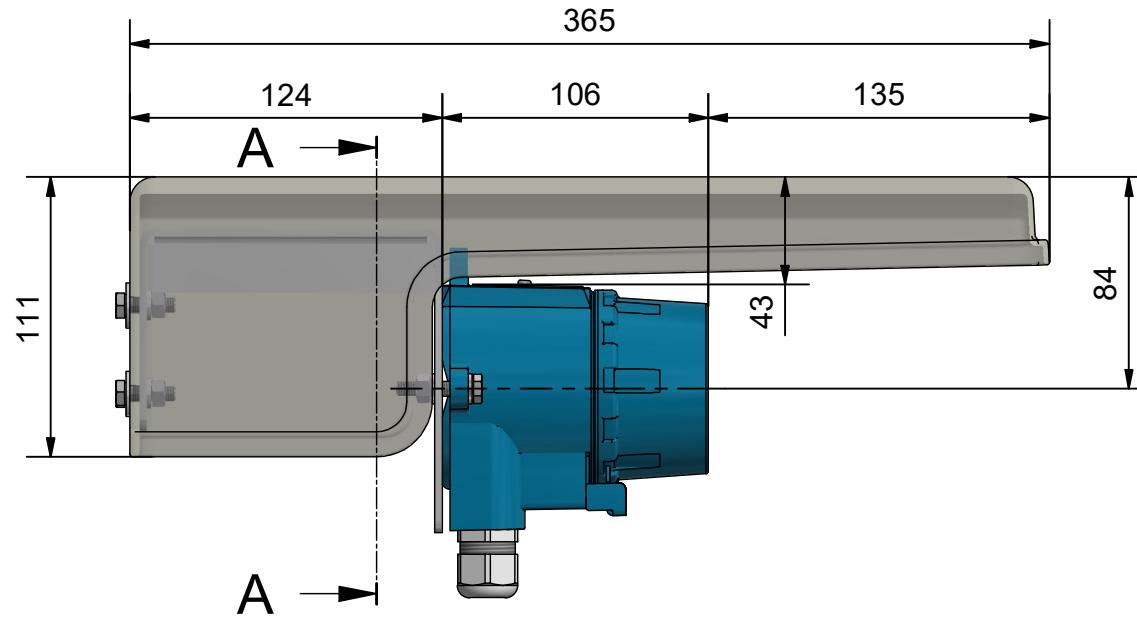


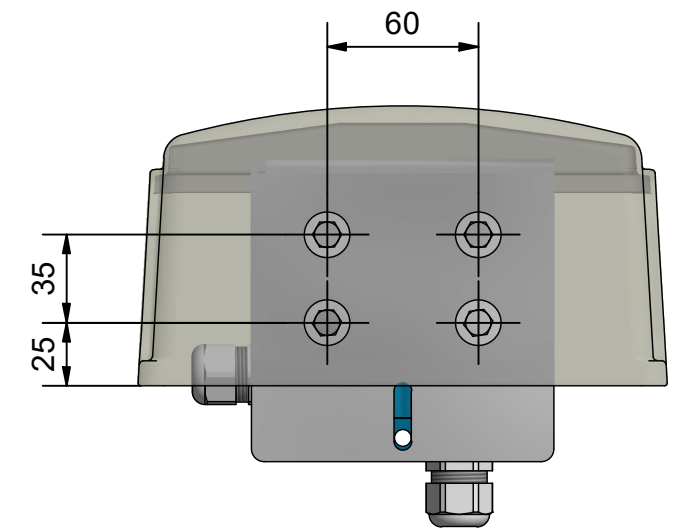
Front view



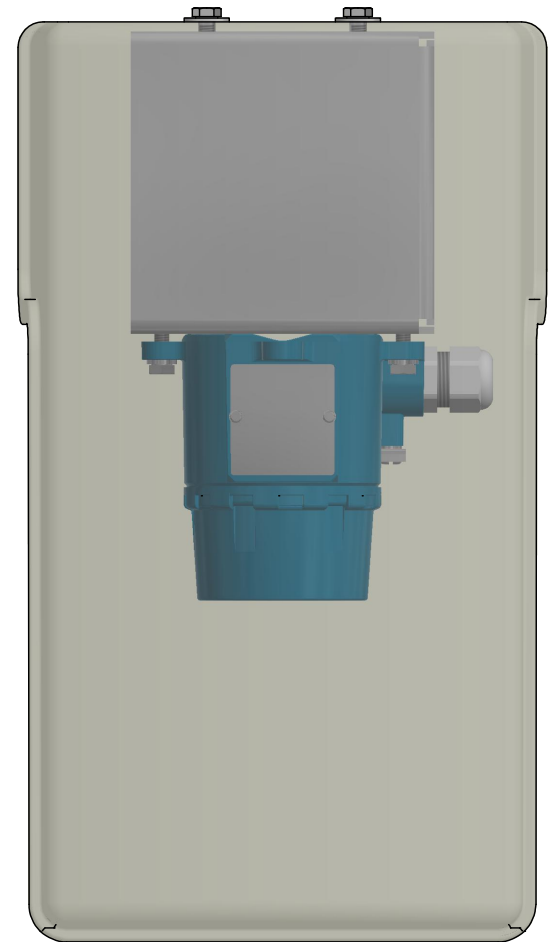
Side view



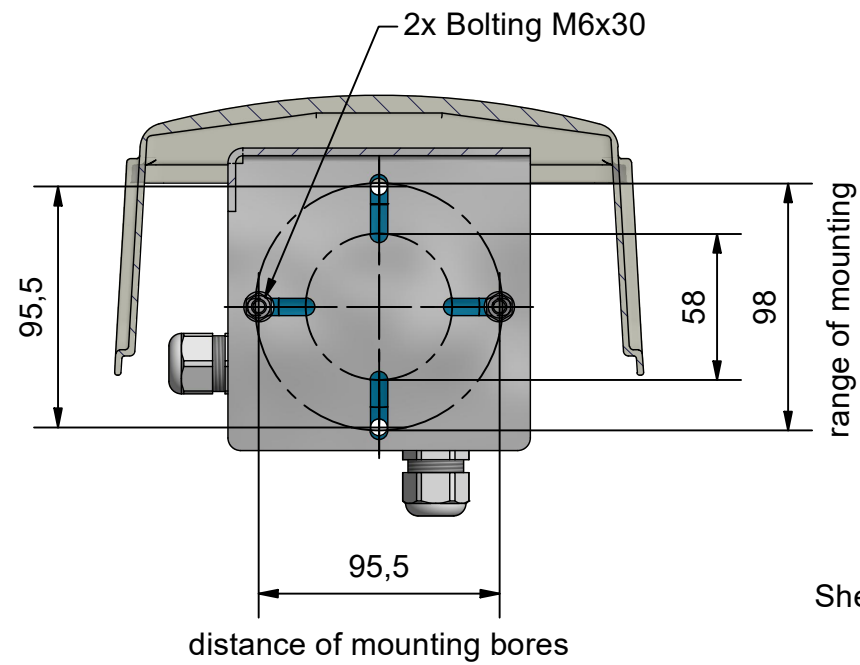
Rear view



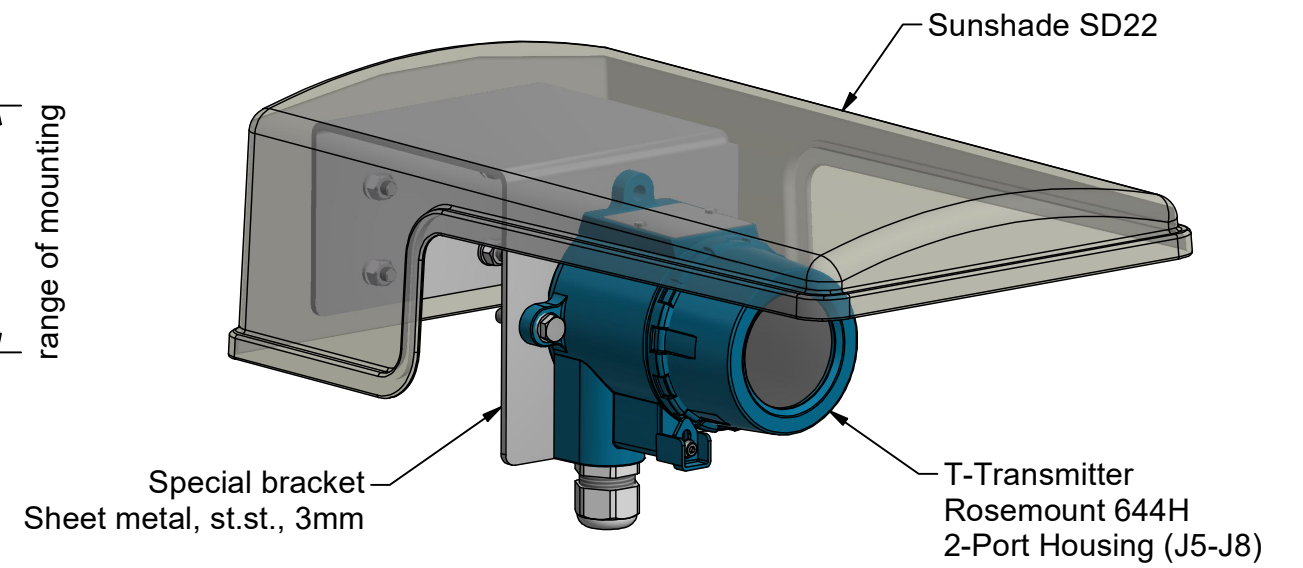
Top view



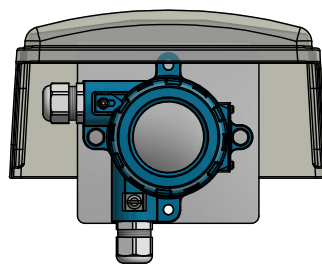
Section A-A




General view



Front view (optional mounting position of TT)



 INTERTEC-Hess GmbH Raffineriestraße 8 D-93333 Neustadt / Donau Phn.: +49(0)9445/9532-0 www.intertec.info		Status:	Scale:	Customer:		
		Standard	1:3			
		Date	Name	Description:		
		designed by 04.06.2013	Moser	Sunshade-SD22-Installation		
		checked by 04.06.2013	Hahnkemeyer	Type:		
				for Rosemount 644H- 2-Port Housing (J5-J8)		
		Article-No.:		Drawing-No.:		
		KFCC-013		K368-3		
Edition		Modifikation	Date	Name	This drawing is the property of INTERTEC-Hess GmbH. It shall not be copied or submitted to outside parties without our written consent. All dimension tolerances are according to ISO 2768-medium unless otherwise specified. Test dimensions for internal use only.	
3	Set-article for J5-J8 only	12.01.22	GS		Sheet: 2	
2	modified design for J1-J8 Housing	27.01.20	Moser		of: 2	
1	added check size, modified material	16.06.16	WeihertK		Size: A3	